



AirMission 2.W2

Part No. 365540A

DATASHEET

2-Channel Radio Transmission System

System with two transmitters (one with pressure wave switch, one with wicket door switch)

General data

Frequency bands	868.95 MHz / 869.85 MHz
Range	100 m at optimum conditions
Communication	Bidirectional
Radiated power	< 5 dbm / 3 mW

Transmitter 1

AirMission 1.T

Material (housing)	ABS grey
Air hose connector	Ø 3 mm for 2/4 mm hose
Supply voltage	2 Lithium batteries 3V (CR2032)
Battery life	Typ. 1.2 years
Current consumption	Transmitting 17mA; idle state 16µA
Reaction time	Typ. 25 ms
Available codes	65'536
Response pressure	2 ± 0.5 mbar
Max. pressure	150 mbar
Pressure equalisation	110 ml/min. at 2 mbar
Mechanical service live	10 million switchings

Transmitter 2

RFGate 2.1.W2.S

Material (housing)	ABS light grey
Supply voltage	2 Lithium batteries 3V (CR2032)
Battery life	Typ. 2 years
Current consumption	Transmitting 17mA; idle state 16µA
Switching distance (transmitter – magnet)	5 mm

Receiver

RFGate 2.2.R.A

Material (housing)	Polyamide grey
Connection	12 screw terminals
Supply voltage	12-24 VAC/DC -10% / +20%
Power consumption	0,5 W at 12 V / 1,2 W at 24V
Transmitter memory	7 transmitters per channel
Outputs	2 Relays 24 VAC/DC, 1 A
As option	With parallel resistor 8,2 kOhm
Display	3 LEDs (2 status outputs, 1 progr.)
Low battery indication	Acoustical and optical

Ambient conditions

Protection category Receiver	IP 55
Protection category Transmitter 1	IP 54
Protection category Transmitter 2	IP 65
Operating temperature	-20°C to +55°C
Storage temperature	-40°C to +80°C
Rel. air humidity	< 95%, non-condensing

Approvals

EN 300 220, EN 301 489
EN ISO 13849-1 (PLc, Cat.2, MTTFD 28.8)

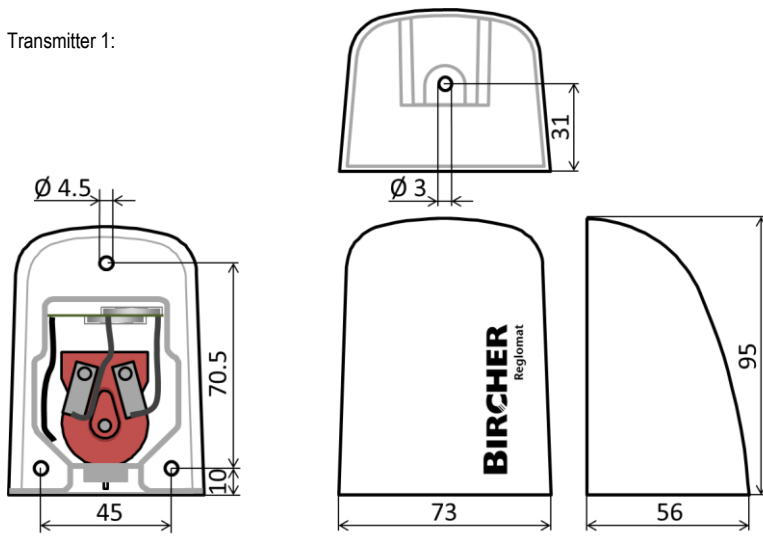


Box contents:

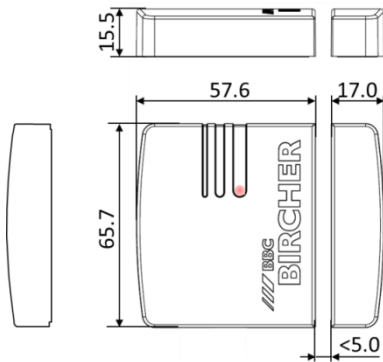
Transmitter for pneumatic pressure wave profile, Transmitter with magnet, 4 Batteries, Receiver, 8 instruction manuals (DE, EN, FR, IT, NL, SV, DA, ES) and mounting material

Dimensions

Transmitter 1:



Transmitter 2:



Receiver :

